

OFFICIAL NOTICE TO BIDDERS

INTERNATIONAL PLOW DUMP TRUCK RACINE COUNTY, WISCONSIN

OWNER: The Village of Mount Pleasant hereby gives notice that bids will be received for the purchase of one International Plow Truck for the Village of Mt. Pleasant.

AWARD OF PROJECT: Bids will be received until 11:00 a.m., Local Time, on the day of February 24th, 2022 and delivered to the Mount Pleasant Village Hall, Village of Mount Pleasant, 8811 Campus Drive, Mt. Pleasant, WI 53406. No bids will be accepted after this time. Bids found to be acceptable and submitted in a timely fashion will be presented to the authorizing committees at within two weeks of the bid date.

BIDDING DOCUMENTS: Bidding documents for this project are available through the Village of Mount Pleasant Public Works Highway Department and may be picked up from the Village Hall at 8811 Campus Drive, Racine County, WI.

Any questions regarding the specifications or the proposal process should be directed to Mark Benish, Village Highway Manager at 262 664-7843.

BID REJECTION/ACCEPTANCE: The Village of Mount Pleasant reserves the right to award contract to the most qualified proposer. The Village reserves the right to accept or reject any or all proposals or to accept any proposal that is considered most advantageous to the Village of Mount Pleasant.

Published by the authority of the Village of Mount Pleasant.

Published Date of February

February 2, 2022

Dear Prospective Bidder:

You are invited to submit a bid to provide the Village of Mount Pleasant with One (1) new Current Model, International HV507 SFA Truck Chassis with (1) Monroe Equipment specified Plow and Patrol Wing Dump Body package for the Public Works Department.

Sealed bids are due on or before 11:00 a.m. on February 24, 2022 at the Village Hall. Mt. Pleasant reserves the right to accept or reject any or all proposals, waive all technicalities and to choose the bid deemed most advantageous to the Village.

Special Instructions

Please be sure to complete one (1) copy of the entire proposal package, especially the signature page. To return your proposal, please follow these instructions:

1. Place the **signature page** on top as page 1
2. Place the **Bid Proposal Form** with price[s] on page 2
3. All bids are to be sealed and clearly labeled: **“Bid on One (1) International HV507 SFA Truck Chassis with (1) Monroe Equipment specified Plow and Patrol Wing Dump Body Package”** in the lower left-hand corner.

Mail or deliver to: Stephanie Kohlagen
 Village Clerk / Treasurer
 8811 Campus Dr
 Mount Pleasant, WI 53406

All bids must remain valid for 60 days after submittal date.

Technical questions should be directed to Mark Benish at (262) 664-7844 or Blair Pfeffer at (262) 664-7851 between the hours of 8:00 a.m. and 3:00 p.m, Monday through Friday.

Sincerely, Mark Benish D.P.W. Manager

**VILLAGE OF MT. PLEASANT SPECIFICATIONS
FOR
PUBLIC WORKS DIVISION**

One (1) New Current Model Year International HV507 SFA truck chassis, automatic transmission with transmission mounted PTO. A 161-inch wheelbase, 84-inch cab to rear axle and dual rear wheels. (1) Monroe Equipment Plow and Patrol Wing Dump Body package as specified.

IMPORTANT – PLEASE NOTE

BIDS WILL BE OPENED IN THE VILLAGE HALL:

Village of Mt. Pleasant
8811 Campus Dr
Mount Pleasant, WI 53406

BIDS MUST BE RECEIVED BY:

Time: 11:00 a.m.
Day: Thursday
Date: February 24th 2022

LATE BIDS WILL NOT BE CONSIDERED

SPECIAL INSTRUCTIONS TO BIDDERS

GENERAL INFORMATION

The purpose of these specifications is to relate Mt. Pleasant's requirements for purchasing the vehicle or equipment described.

The intent of these specifications is:

- To stipulate the MINIMUM acceptable requirements of good engineering design and performance.
- To establish the bidder's responsibility to furnish all necessary appurtenances and labor in supplying the equipment being advertised for, and
- To assure complete conformance by the successful bidder with the requirements outlined.

Any item omitted which is clearly necessary for the satisfactory performance of the proposed equipment, even though not directly specified, shall be considered a part of the contract.

It shall be the successful bidder's responsibility that the complete equipment conforms to all applicable State of Wisconsin and Federal safety laws, regulations and standards in effect on the date of delivery. Any party installing a body or equipment to complete a vehicle for delivery will be responsible to see that the completed vehicle meets all applicable federal motor vehicle safety standards and complies with the law in all respects.

The Village reserved the right to accept the trade-in allowance or to keep the proposed trade-in unit(s). The successful bidder agrees that any trade-in vehicle(s) or equipment will not be surrendered until the new unit(s) are in road-operable condition and in service. **Mobile Radio** equipment and any other accessory equipment noted in the trade-in unit(s) will remain the property of the Village and will be removed.

In making the award for furnishing this equipment factors other than price may be considered: such as parts, service, local and past experience with machine, adaptability to the Village's requirements, operating advantages, structural design of machine, etc.

The Village of Mt. Pleasant, through its duly authorized agents, reserves the right to reject any or all bids, to waive all technicalities and to accept the bid most advantageous to Village. All bidders, by submission of their respective bids, agree to abide by the rules, regulations and procedures of the Village of Mt. Pleasant.

SPECIAL INSTRUCTIONS TO BIDDERS (Continued)

A Vendor Must meet the minimum specification. Any exceptions or alternates to the minimum specifications shall be listed with an explanation on a separate sheet attached. Failure to fully

complete bid package could result in the rejection of the bid. **Prices must include delivery, title registration, license plates, and transportation, preparation and handling costs.** Award of the bid shall be based on the cost as bid for the **Total Complete Package** as specified on the Bid Proposal Form noted as Base Bid.

BIDS SHALL INCLUDE A DELIVRY DATE FROM THE TIME ORDER IS SUMMITED.

The vehicle or equipment offered is to be of the latest type and commercial model manufactured and is to be new and unused. Manufacturer's literature covering specifications and description of the machine and equipment bid must accompany bid. The vehicle shall be furnished complete with operating accessories, modifications and equipment as specified herein. The Village reserves the right to request a demonstration of any bidders' proposed vehicle or equipment prior to issuance of a purchase order.

The term "Heavy Duty" as used to describe an item shall mean in excess of the usual quantity, quality or capacity that is normally supplied with the standard product vehicle or component.

Warranty shall start the day the vehicle is placed in service at the Public Works Department. The manufacturer shall warrant the entire vehicle or equipment any furnished devices, against parts failure or malfunction due to design, construction, installation or errors in assembly of components, defective material and workmanship.

In order to comply with the State and Federal code for vehicles, the vendor, supplier or manufacturer of applicable equipment shall upon delivery, furnish the Village of Mt. Pleasant with the following documents, if applicable, completely filled out.

1. Certificate of Title only to: Village of Mt. Pleasant
8811 Campus Dr
Mount Pleasant, WI 53406
2. Certificate of odometer mileage
3. Tax exemption certificates

CERTIFICATION OF BIDDER
Signature Page

I fully understand the requirements of the Village and certify on behalf of my company that we can meet the requirements as stated above.

Company: _____

Signature: _____

Authorized Representative

Typed/Printed Name: _____

Title: _____

City, State, ZIP: _____

Telephone: _____ Fax: _____

Email: _____

Date: _____

BID PROPOSAL FORM

TOTAL DELIVERED PRICE: _____

DELIVERY DATE: _____

COMPANY: _____

DATE: _____

SIGNATURE: _____

TITLE: _____

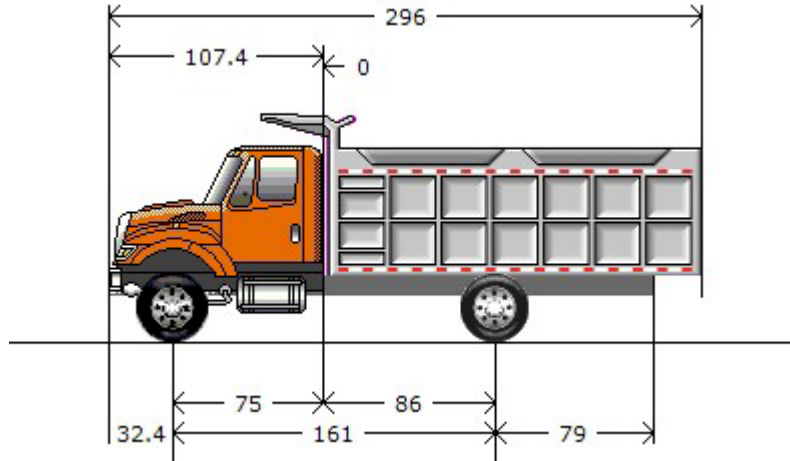
MOUNT PLEASANT RESERVES THE RIGHT TO REJECT ANY AND ALL BIDS. BIDS MAY NOT BE WITHDRAWN FOR 60 DAYS WITHOUT THE CONSENT OF THE VILLAGE OF MT PLEASANT



HV507 SFA

**SPECIFICATIONS FOR THE
Village of Mt. Pleasant**

Prepared by:
 Village of Mt. Pleasant
 Blair Pfeffer



Model Profile
2023 HV507 SFA (HV507)

AXLE CONFIG:	4X2
APPLICATION:	Construction Dump
MISSION:	Requested GVWR: 52000. Calc. GVWR: 43000. Calc. GCWR: 80000 Calc. Start / Grade Ability: 23.48% / 2.10% @ 55 MPH Calc. Geared Speed: 67.4 MPH
DIMENSION:	Wheelbase: 161.00, CA: 86.00, Axle to Frame: 79.00
ENGINE, DIESEL:	{Cummins L9 300} EPA 2021, 300HP @ 2200 RPM, 860 lb-ft Torque @ 1200 RPM, 2200 RPM Governed Speed, 300 Peak HP (Max)
TRANSMISSION, AUTOMATIC:	{Allison 3000 RDS} 5th Generation Controls, Close Ratio, 6-Speed with Double Overdrive, with PTO Provision, Less Retarder, Includes Oil Level Sensor, with 80,000-lb GVW and GCW Max, On/Off Highway
CLUTCH:	Omit Item (Clutch & Control)
AXLE, FRONT NON-DRIVING:	{Meritor MFS-20-133A} Wide Track, I-Beam Type, 20,000-lb Capacity
AXLE, REAR, SINGLE:	{Meritor RS-23-160} Single Reduction, 23,000-lb Capacity, Driver Controlled Locking Differential, 200 Wheel Ends Gear Ratio: 6.14
CAB:	Conventional, Day Cab
TIRE, FRONT:	(3) 315/80R22.5 Load Range L HAU 3 WT (CONTINENTAL), 480 rev/mile, 68 MPH, All-Position
TIRE, REAR:	(4) 11R22.5 Load Range H HDR2+ (CONTINENTAL), 491 rev/mile, 75 MPH, Drive
SUSPENSION, REAR, SINGLE:	23,500-lb Capacity, Vari-Rate Springs
PAINT:	Cab schematic 100WK Location 1: 0311, Omaha Orange (Std) Chassis schematic N/A

Vehicle Specifications
2023 HV507 SFA (HV507)

<u>Code</u>	<u>Description</u>
HV50700	Base Chassis, Model HV507 SFA with 161.00 Wheelbase, 86.00 CA, and 79.00 Axle to Frame.
1570	TOW HOOK, FRONT (2) Frame Mounted
1572	TOW HOOK, REAR (2)
1ANA	AXLE CONFIGURATION {Navistar} 4x2
1CAJ	FRAME RAILS Heat Treated Alloy Steel (120,000 PSI Yield); 10.866" x 3.622" x 0.437" (276.0mm x 92.0mm x 11.1mm); 456.0" (11582mm) Maximum OAL
1LLA	BUMPER, FRONT Swept Back, Steel, Heavy Duty
1MEJ	FRAME, SPECIAL EFFECTS Dimple on Left and Right Top Flange of Frame Rail to Reference Rear Axle Centerline
1WDS	FRAME EXTENSION, FRONT Integral; 20" In Front of Grille
1WEV	WHEELBASE RANGE 146" (370cm) Through and Including 195" (495cm)
2ARY	AXLE, FRONT NON-DRIVING {Meritor MFS-20-133A} Wide Track, I-Beam Type, 20,000-lb Capacity
3708	SHOCK ABSORBERS, FRONT
3ACS	SUSPENSION, FRONT, SPRING Multi-leaf, Shackle Type, 20,000-lb Capacity, Less Shock
Absorbers3WAJ	SPRINGS, FRONT AUXILIARY Air Bag, Right Side Only, Driver Control
4091	BRAKE SYSTEM, AIR Dual System for Straight Truck Applications
	<u>Includes</u>
	: BRAKE LINES Color and Size Coded Nylon
	: DRAIN VALVE Twist-Type
	: GAUGE, AIR PRESSURE (2) Air 1 and Air 2 Gauges; Located in Instrument Cluster
	: PARKING BRAKE CONTROL Yellow Knob, Located on Instrument Panel
	: PARKING BRAKE VALVE For Truck
	: QUICK RELEASE VALVE On Rear Axle for Spring Brake Release: 1 for 4x2, 2 for 6x4
	: SPRING BRAKE MODULATOR VALVE R-7 for 4x2, SR-7 with relay valve for 6x4/8x6
4732	DRAIN VALVE {Berg} with Pull Chain, for Air Tank
4AZA	AIR BRAKE ABS {Bendix Anti-Lock Brake System} 4-Channel (4 Sensor/4 Modulator) Full Vehicle WheelControl System
4EBT	AIR DRYER {Bendix AD-IP} with Heater
4EXU	BRAKE CHAMBERS, REAR AXLE {Bendix Ever Sure} 30/30 SqrIn Spring
Brake4EXV	BRAKE CHAMBERS, FRONT AXLE {Bendix} 24 SqrIn
4LAG	SLACK ADJUSTERS, FRONT {Gunite} Automatic
4LGG	SLACK ADJUSTERS, REAR {Gunite} Automatic
4SPA	AIR COMPRESSOR {Cummins} 18.7 CFM
4VKC	AIR DRYER LOCATION Mounted Inside Left Rail, Back of Cab
4VKK	AIR TANK LOCATION (2) Mounted Under Battery Box, Outside Right Rail, Back of Cab, Perpendicular to Rail
4WBX	DUST SHIELDS, FRONT BRAKE for Air Cam Brakes
4WDM	DUST SHIELDS, REAR BRAKE for Air Cam Brakes

Vehicle Specifications
2023 HV507 SFA (HV507)

<u>Code</u>	<u>Description</u>
4XDL	BRAKES, FRONT {Bendix Spicer ES-165-6X} Air S-Cam Type, Heavy Duty Fabricated Spider, Fabricated Shoe, Single Anchor Pin, Size 16.5" X 6", 23,000-lb Capacity
4XDM	BRAKES, REAR {Bendix Spicer ES-165-7X} Air S-Cam Type, Heavy Duty Fabricated Spider, Fabricated Shoe, Single Anchor Pin, Size 16.5" X 7", 23,000-lb Capacity per Axle
5710	STEERING COLUMN Tilting and Telescoping
5CAW	STEERING WHEEL 4-Spoke; 18" Dia., Black
5PTB	STEERING GEAR (2) {Sheppard M100/M80} Dual Power
6DGG	DRIVELINE SYSTEM {Dana Spicer} 1710, for 4x2/6x2
7BEU	AFTERTREATMENT COVER Aluminum
7BLW	EXHAUST SYSTEM Horizontal After treatment System, Frame Mounted Right Side Under Cab, for Single Vertical Tail Pipe, Frame Mounted Right Side Back of Cab
7WAZ	TAIL PIPE (1) Turn back Type
7WCM	EXHAUST HEIGHT 8' 10"
7WDN	MUFFLER/TAIL PIPE GUARD (1) Aluminum
8000	ELECTRICAL SYSTEM 12-Volt, Standard Equipment
	<u>Includes</u>
	: DATA LINK CONNECTOR for Vehicle Programming and Diagnostics In Cab
	: HAZARD SWITCH Push On/Push Off, Located on Instrument Panel to Right of Steering Wheel
	: HEADLIGHT DIMMER SWITCH Integral with Turn Signal Lever
	: PARKING LIGHT Integral with Front Turn Signal and Rear Tail Light
	: STARTER SWITCH Electric, Key Operated
	: STOP, TURN, TAIL & B/U LIGHTS Dual, Rear, Combination with Reflector
	: TURN SIGNAL SWITCH Self-Cancelling for Trucks, Manual Cancelling for Tractors, with Lane Change Feature
	: WINDSHIELD WIPER SWITCH 2-Speed with Wash and Intermittent Feature (5 Pre-Set Delays), Integral with Turn Signal Lever
	: WINDSHIELD WIPERS Single Motor, Electric, Cowl Mounted
	: WIRING, CHASSIS Color Coded and Continuously Numbered
8695	SNOW SHIELD (2) Chrome; for Dual Air Horns
8GHU	ALTERNATOR {Delco Remy 28SI} Brush Type, 12 Volt, 200 Amp Capacity, Pad Mount, with Remote Sense
8HAU	BODY BUILDER WIRING INSIDE CAB; Includes Sealed Connectors for Tail/Amber, Turn/Marker/Backup/Accessory, Power/Ground, and Stop/Turn
8HXT	HORN, AIR (2) Single Tone, Chrome, Roof Mounted, with Lanyard Pull Cord
8MJU	BATTERY SYSTEM {Fleetrite} Maintenance-Free, (3) 12-Volt 2850CCA Total, Top Threaded Stud
8RMZ	SPEAKERS (2) 6.5" Dual Cone Mounted in Both Doors, (2) 5.25" Dual Cone Mounted in Both B-Pillars
8RPP	ANTENNA Shark Fin, Roof Mounted
8RPT	RADIO AM/FM/WB/Clock/USB Input/Auxiliary Input
8THJ	AUXILIARY HARNESS 3.0' for Auxiliary Front Head Lights and Turn Signals for Front Plow Applications
8TNR	BATTERY CABLES with 36" of Extra Length Coiled and Strapped Near Battery Box
8TPS	STOP, TURN, TAIL & B/U LIGHTS {Weldon} Multi-Function LED Lamp, Mounted Inside Rails, Includes LED License Plate Light
8VAY	HORN, ELECTRIC Disc Style

Vehicle Specifications
2023 HV507 SFA (HV507)

<u>Code</u>	<u>Description</u>
8VUJ	BATTERY BOX Steel, with Plastic Cover, 18" Wide, 2-4 Battery Capacity, Mounted Right Side Back of Cab
8VZR	SWITCH, BODY CIRCUITS, MID with Remote Power Module Mounted in Cab Behind Driver Seat, Up to 6 Outputs & 6 Inputs, Max 20 amp per Channel, Max 80 amp Total, Includes 1 Switch Pack with Momentary Switches
8WPH	CLEARANCE/MARKER LIGHTS (5) {Truck Lite} Amber LED Lights, Flush Mounted on Cab or Sunshade
8WTK	STARTING MOTOR {Delco Remy 38MT Type 300} 12 Volt, Less Thermal Over-Crank Protection
8WWJ	INDICATOR, LOW COOLANT LEVEL with Audible Alarm
8XAH	CIRCUIT BREAKERS Manual-Reset (Main Panel) SAE Type III with Trip Indicators, Replaces All Fuses
8XGT	TURN SIGNALS, FRONT Includes LED Side Turn Lights Mounted on Fender
8XHD	BATTERY DISCONNECT SWITCH 300 Amp, Disconnects Charging Circuits, Locks with Padlock, Cab Mounted
8XHR	POWER SOURCE, ADDITIONAL Auxiliary Power Outlet (APO) with USB Port, Located in the Instrument Panel
8XNY	HEADLIGHTS Halogen
9AAB	LOGOS EXTERIOR Model Badges
9AAE	LOGOS EXTERIOR, ENGINE Badges
9ANG	HOOD, HATCH (01) for Servicing
9HAN	INSULATION, UNDER HOOD for Sound Abatement
9HBM	GRILLE Stationary, Chrome
9HBN	INSULATION, SPLASH PANELS for Sound Abatement
9WBC	FRONT END Tilting, Fiberglass, with Three Piece Construction, for WorkStar/HV
10060	PAINT SCHEMATIC, PT-1 Single Color, Design 100 Cab OMAHA ORANGE
10761	PAINT TYPE Base Coat/Clear Coat,
10SLV	PROMOTIONAL PACKAGE Government Silver Package
11001	CLUTCH Omit Item (Clutch & Control)
12703	ANTI-FREEZE Red, Extended Life Coolant; To -40 Degrees F/ -40 Degrees C, Freeze Protection
12ESL	ENGINE, DIESEL {Cummins L9 300} EPA 2021, 300HP @ 2200 RPM, 860 lb-ft Torque @ 1200 RPM, 2200 RPM Governed Speed, 300 Peak HP (Max)
12THT	FAN DRIVE {Horton Drive master} Two-Speed Type, Direct Drive, with Residual Torque Device for Disengaged Fan Speed
	<u>Includes</u> : FAN Nylon
12UWZ	RADIATOR Aluminum, Cross Flow, Front to Back System, 1228 SqIn, with 1167 SqIn Charge Air Cooler, Includes In-Tank Oil Cooler
	<u>Includes</u> : DEAERATION SYSTEM with Surge Tank : HOSE CLAMPS, RADIATOR HOSES Gates Shrink Band Type; Thermoplastic Coolant Hose Clamps : RADIATOR HOSES Premium, Rubber
12VAG	AIR CLEANER Single Element, with Integral Snow Valve and In-Cab Control

Vehicle Specifications
2023 HV507 SFA (HV507)

<u>Code</u>	<u>Description</u>
12VJC	EMISSION, CALENDAR YEAR {Cummins L9} EPA, OBD and GHG Certified for Calendar Year 2022
12VXT	THROTTLE, HAND CONTROL Engine Speed Control; Electronic, Stationary, Variable Speed; Mounted on Steering Wheel
12VYL	ACCESSORY WIRING, SPECIAL for Road Speed Wire Coiled Under Instrument Panel for Customer Use
12VYP	ENGINE CONTROL, REMOTE MOUNTED No Provision for Remote Mounted Engine Control
12WZE	CARB IDLE COMPLIANCE Federal, Does Not Comply with California Clean Air Idle Regulations
12XCS	CARB EMISSION WARR COMPLIANCE Federal, Does Not Comply with CARB Emission Warranty
13AVR	TRANSMISSION, AUTOMATIC {Allison 3000 RDS} 5th Generation Controls, Close Ratio, 6-Speed with Double Overdrive, with PTO Provision, Less Retarder, Includes Oil Level Sensor, with 80,000-lb GVW and GCW Max, On/Off Highway
13WET	TRANSMISSION SHIFT CONTROL Column Mounted Stalk Shifter, Not for Use with Allison 1000 & 2000 Series Transmission
13WGH	TRANSMISSION DIPSTICK Relocated to Right Side of Transmission
13WLP	TRANSMISSION OIL Synthetic; 29 thru 42 Pints
13WUC	ALLISON SPARE INPUT/OUTPUT for Rugged Duty Series (RDS) and Regional Haul Series (RHS), General Purpose Trucks, Construction, Package Number 223
13WVV	NEUTRAL AT STOP Allison Transmission Shifts to Neutral When Service Brake is Depressed and Vehicle is at Stop; Remains in Neutral Until Service Brake is Released
13WYH	TRANSMISSION TCM LOCATION Located Inside Cab
13WYU	SHIFT CONTROL PARAMETERS {Allison} 3000 or 4000 Series Transmissions, Performance Programming
13XAA	PTO CONTROL, DASH MOUNTED For Customer Provided PTO; Includes Switch, Electric/Air Solenoid, Piping and Wiring
13XAM	PTO LOCATION Dual.
14ARB	AXLE, REAR, SINGLE {Meritor RS-23-160} Single Reduction, 23,000-lb Capacity, Driver Controlled Locking Differential, 200 Wheel Ends . Gear Ratio: 6.14
14SAN	SUSPENSION, REAR, SINGLE 23,500-lb Capacity, Vari-Rate Springs
14SZB	SPRINGS, REAR AUXILIARY Multi-leaf; 4,500-lb Capacity
15DYP	DEF TANK 9.5 US Gal (36L) Capacity, Frame Mounted Outside Left Rail, Under Cab
15LNS	FUEL/WATER SEPARATOR {Racor 400 Series} 12 VDC Electric Heater, Includes Pre-Heater, with Primer Pump, Includes Water-in-Fuel Sensor, Mounted on Engine
15SJZ	FUEL TANK Top Draw, Non-Polished Aluminum, 26" Dia, 80 US Gal (303L), Mounted Left Side, Under Cab
16030	CAB Conventional, Day Cab
16BAL	HEATER
16GED	GAUGE CLUSTER Base Level; English with English Electronic Speedometer

Includes

: GAUGE CLUSTER DISPLAY: Base Level (3" Monochromatic Display), Premium Level (5" LCD Color Display); Odometer, Voltmeter, Diagnostic Messages, Gear Indicator, Trip Odometer, Total Engine Hours, Trip Hours, MPG, Distance to Empty/Refill for
: GAUGE CLUSTER Speedometer, Tachometer, Engine Coolant Temp, Fuel Gauge, DEF Gauge, Oil Pressure Gauge, Primary and Secondary Air Pressure
: WARNING SYSTEM Low Fuel, Low DEF, Low Oil Pressure, High Engine Coolant Temp, Low Battery Voltage (Visual and Audible), Low Air Pressure (Primary and Secondary)

Vehicle Specifications
2023 HV507 SFA (HV507)

<u>Code</u>	<u>Description</u>
16HGH	GAUGE, OIL TEMP, AUTO TRANS for Allison Transmission
16HHE	GAUGE, AIR CLEANER RESTRICTION {Filter-Minder} with Black Bezel, Mounted in Instrument Panel
16HKT	IP CLUSTER DISPLAY On Board Diagnostics Display of Fault Codes in Gauge Cluster
16JYX	SEAT, DRIVER {National 2000} Air Suspension, High Back with Integral Head Rest, Cloth, Isolated, 1 Chamber Lumbar, 2 Position Front Cushion Adjustment, -3 to +14 Degree Seat Back Angle Adjustment, Dual Shocks
16SDZ	MIRROR, CONVEX, HOOD MOUNTED {Lang Mekra} (2) Right and Left Side, Bright, 7.5" Sq.
16SEE	GRAB HANDLE, EXTERIOR Chrome, Towel Bar Type, with Anti-Slip Rubber Inserts, for Cab Entry Mounted Left Side at B-Pillar
16SMM	SEAT, PASSENGER {National} Non Suspension, High Back, Fixed Back, Integral Headrest, Cloth
16SNM	MIRRORS (2) C-Loop, Heated, Black Heads and Arms, 7.5" x 14" Flat Glass, Includes 7.5" x 7" Convex Mirrors, for 102" Load Width
16VKK	CAB INTERIOR TRIM Diamond, for Day Cab <u>Includes</u> : CONSOLE, OVERHEAD Molded Plastic with Dual Storage Pockets, Retainer Nets Located Above Driver and Passenger : DOME LIGHT, CAB Door Activated and Push On-Off at Light Lens, Timed Theater Dimming, Reading Lights; Integral to Overhead Console, Center Mounted : SUN VISOR (3) Padded Vinyl; 2 Moveable (Front-to-Side) Primary Visors, Driver Side with Vanity Mirror and Toll Ticket Strap, plus 1 Auxiliary Visor (Front Only), Driver Side
16VSL	WINDSHIELD Heated, Single Piece
16WBY	ARM REST, RIGHT, DRIVER SEAT
16WSK	CAB REAR SUSPENSION Air Bag Type
16XCK	WINDOW, MANUAL (2) and Manual Door Locks, Left and Right Doors
16XJP	INSTRUMENT PANEL Wing Panel
16XTK	ACCESS, CAB Bright Aluminum, Driver & Passenger Sides, Two Steps per Door, for use with Day Cab or Extended Cab
16XWJ	WINDSHIELD WIPER BLADES Snow Type
26DPN	WHEEL, SPARE, DISC {Accuride 29039} 22.5x9.00 Rims, Powder Coat Steel, 10-Stud, 285.75mm BC, Hub-Piloted, for Front Application Only
27DPN	WHEELS, FRONT {Accuride 29039} DISC; 22.5x9.00 Rims, Powder Coat Steel, 5-Hand Hole, 10-Stud, 285.75mm BC, Hub-Piloted, Flanged Nut, with Steel Hubs, Non-Standard Offset, with .5" Thick Disc
28DUK	WHEELS, REAR {Accuride 29169} DUAL DISC; 22.5x8.25 Rims, Powder Coat Steel, 5-Hand Hole, 10-Stud, 285.75mm BC, Hub-Piloted, Flanged Nut, with .472" Thick Increased Capacity Disc and Steel Hubs
29007	TIRE, SPARE Equal to Model Standard
7382135444	(4) TIRE, REAR 11R22.5 Load Range H HDR2+ (CONTINENTAL), 491 rev/mile, 75 MPH, Drive
7792545437	(3) TIRE, FRONT 315/80R22.5 Load Range L HAU 3 WT (CONTINENTAL), 480 rev/mile, 68 MPH, All-Position

Vehicle Specifications
2023 HV507 SFA (HV507)

<u>Code</u>	<u>Description</u>
40128	WARRANTY Standard for HV507 SFA.
40TVV	SRV CONTRACT, EXT ALLISON XMSN {Allison} To 60-Month/Unlimited Miles/km, for Allison 3000 RDS with Dump Truck or Mixer Vocations (ST01, ST06, ST07)
40URC	SRV CONTRACT, EXT CMMS ENGINE {Cummins} To 60-Month/100,000 Miles (160,000 km), Extended Cummins L9 Engine Coverage, Protection Plan 1

Body/Allied Equipment

<u>Code</u>	<u>Description</u>
Goods Purchased	
<u>Code</u>	<u>Description</u>
	Special Delivery Prep (Med)
	Spare Wheel and Tire (Drive)
	Floor Mats (MINIMIZER)
	Motorola XPR5550e 2-Way Radio
	Peek Window

Specs for

Village Of Mt. Pleasant D.P.W.

8700 CAMPUS DRIVE

MT PLEASANT, WI 53406

Ph: 262-554-7097 / Fax: 262-554-6785

Email: MT PLEASANT SINGLE AXLE PKG

Chassis Information

<i>Year:</i>	<i>Make: INTERNATIONAL</i>	<i>Model: HV507 SFA</i>	<i>Cab Type: Day Cab</i>
<i>Single/Dual: single</i>	<i>CA: 86.00 CT:</i>	<i>Wheelbase: 161.00</i>	<i>Vin:</i>

Notes:

Specs. For Village of Mt. Pleasant, Must be Monroe Truck Equipment.

Description	Amount
10' CRYSTEEL SELECT SERIES DUMP BODY	
- 5-7 YD	
- 26" SIDES	
- 48" FRONT	
- 7 GAUGE STAINLESS STEEL SIDES AND ENDS	
- 36" TAILGATE WITH FULL RIBBED DOUBLE WALLED BRACING	
- 1/4" AR450 (180000 PSI TENSILE; 145000 PSI YIELD) FLOOR WITH WESTERN UNDERSTRUCTURE (CROSSMEMBERLESS)	
- RECESSED STOP/TURN/ TAIL AND BACKUP LIGHTS WITH SEALED WIRING HARNESS AND JUNCTION BOX	
- MANUAL TAILGATE	
* 1/2 X 10 GA. X 78" CAB SHIELD 100% WELDED-STAINLESS STEEL	
* 12" X 18" STAINLESS STEEL SCREEN WINDOW	
* (1) PAIR 10' X 8' POLY SIDE BOARDS; INCLUDES CENTER SUPPORT	
* STAINLESS STEEL ROD CHAIN HOLDERS	
* TREAD GRIP WALK RAIL	
* (2) SPRING LOADED SHOVEL HOLDERS-STAINLESS STEEL-ONE EACH SIDE	
* 2 RUNG LADDER BELOW BODY RUB RAIL - MILD STEEL	
* 12" X 10 GA. BOLT-ON SPILL SHIELD - MILD STEEL - PAINTED ORANGE	
* ELECTRIC BACK-UP ALARM	
* LIFT-LOOP ON TAILGATE-STAINLESS STEEL	
* FLEET ENGINEER POLY FENDERS KIT WITH SHORT FLAP	
- DUAL BODY PROPS	
- BODY TO REMAIN IN BARE STAINLESS STEEL	
- INSTALLED	

CRYSTEEL RC750 HOIST LH

- ROLLER - COMBO UNDERBODY SUBFRAME HOIST

- GREASELESS TEFLON COMPOSITE BEARINGS (AT CRITICAL PIVOT POINTS)

Vehicle Specifications
2023 HV507 SFA (HV507)

<u>Code</u>	<u>Description</u>
	- BODY-UP LIGHT
	- CYLINDERS MADE FROM HIGH STRENGTH STEEL TUBING AND FEATURES CHROMED SHAFTS
	- CLOSE TOLERANCE PISTONS AND HIGH PRESSURE SEALS
	- INTERNAL CYLINDER BY-PASS (PROTECTS THE SYSTEM)
	- LESS HYDRAULIC POWER SOURCE

REAR HITCH:

- BUYERS PINTLE HOOK (BOLTED TO 1/2" PLATE)
- CHANNEL RECESSED INTO TRUCK FRAME
- (2) D-RING FOR SAFETY CHAINS
- 6-WAY TRAILER RECEPTACLE
- BACKUP ALARM

MTE TRUCK PORTION PLOW HITCH

- PIN AND LOOP
 - NON TILTING
 - LEVER RELEASE
 - ADJUSTABLE LIFT ARM
 - CYLINDERL 4X10 DA; NITRIDED ROD
 - POWDER COAT BLACK
 - INSTALLED
- MC2075; MONROE PIN & LOOP QUICK HITCH W/O UNIVERSAL MOUNTS; TRUCK PORTIO

MONROE FULL MOLDBOARD TRIP REVERSIBLE PLOW

- 10 GAUGE ROLL FORMED STRAIGHT MOLDBOARD
 - (6) 1/2" X 4" TAPERED, ONE-PIECE FLAME CUT RIBS
 - 2" X 3" X 3/8" TOP MOLDBOARD ANGLE
 - 4" X 4" X 3/4" BOTTOM MOLDBOARD ANGLE
 - HORIZONTAL MOLDBOARD BRACE ANGLES
 - * RUBBER SNOW DEFLECTOR
 - DUAL COMPRESSION TRIP SPRING ASSEMBLIES
 - 4" X 4" X 3/8" CROSS-TUBE SUPPORT
 - 3-1/2" X 3-1/2" X 1/2" SEMI-CIRCLE
 - (2) 3" X 10" DOUBLE ACTING POWER REVERSE CYLINDERS WITH CUSHION VALVE
 - BUILT-IN MONROE LEVEL LIFT ASSEMBLY
 - MOLDBOARD AND PUSHFRAME 100% CONTINUOUSLY WELDED
 - MOLDBOARD POWDER COATED ORANGE
 - PUSH FRAME POWDER COATED BLACK
 - * SCREW ADJUSTABLE PARK JACK; S&I INSTALLED
 - * LIFT LOOP FOR PLOW
 - * GLED LOOP - PLOW PORTION
 - * CARBIDE CUTTING EDGE
 - NO SHOES
 - PLOW MARKERS
 - INSTALLED
- MP41R11-ISCT; FULL MOLDBOARD TRIP REVERSIBLE PLOW; 1650# W/ GLED LOOP

MONROE DFPW HD DOUBLE FUNCTION PATROL WING

- RIGHT SIDE MOUNT
- * PARA-GLIDE POSTLESS DESIGN-US PATENT NO. 8,596.376
- REAR MOUNTED CROSS TUBE
- * 3/16" STRAIGHT MOLDBOARD - 29" INTAKE 29" DISCHARGE
- * TORSION TRIP EDGE
- * SINGLE SQUARE PUSH ARM - REAR PICK
- * WRAP AROUND CURB GUARD - WING HEEL
- * WINTER EQUIPMENT SYS-RZ18WCRT CUTTING EDGE
- * WING LOCKS - TOE AND HEEL
- * ROUND HOOK MOUNTED ON WING FOR REMOVAL/ TRANSPORTING
- WING STOP
- * WING SIDE TIMBREN LOAD BOOSTER KIT
- * HOOK MOUNTED ON WING MOLD BOARD PER SPEC
- MOLDBOARD POWDER COATED ORANGE
- HARDWARE POWDER COATED BLACK
- MARKERS TOE & HEEL
- TIMBREN LOAD BOOSTER
- INSTALLED

Vehicle Specifications
2023 HV507 SFA (HV507)

<u>Code</u>	<u>Description</u>
	INSTALL CUSTOMER SUPPLIED TAILGATE SPREADER

**Additional
Information**

MTE CUSTOM HYDRAULICS PACKAGE
 * PTO, HOTSHIFT, ROTATABLE FLANGE; NEW WORLD TRANSMISSION; INSTALLED
 - MANIFOLD VALVE ASSY
 - FLOOR MOUNT
 - LOADSENSE HYDRAULICS
 - PTO MOUNT
 - ROTATABLE FLANGE
 - 5.6 CUBIC INCH 92CC LOAD SENSE
 - 24 GPM FLOW @1000 RPM
 - 5,000 PSI OPERATING PRESSURE
 - TANK, 30 GALLON CAPACITY FILTER HYDRAULIC RESERVOIR WITH INTERNAL FILTER-MILD STEEL
 - FILLER/BREATHER CAP, LEVEL/TEMP SIGHT GLASS, 3/4" MAGNETIC PLUG,
 - 60 P.S.I. CONDITION INDICATOR
 - ENCLOSURE WITH WEATHER TIGHT COVER; FRAME MOUNT- MILD STEEL
 - HYDRAULIC ENCLOSURE WILL BE MOUNTED ON FRAME RAIL
 - FORCE AMERICA TXV92-R-KIT
 - FORCE 3-STICK PATROL COMMANDER ULTRA CONTROL
 - FORCE AMERICA 5100 EX SPREADER CONTROLLER
 - HOSES & FITTINGS TO COMPLETE HYDRAULIC PACKAGE
 * 4 BANK MANIFOLD PLATE FOR WING; INCLUDES COUPLERS
 * COUPLERS FOR SPREADER MOUNTED THROUGH REAR SUBFRAME
 - STAINLESS STEEL LINES
 - INSTALLED

GENERAL LIGHTING:
 L.E.D. LIGHTING UPGRADE
 INCLUDES:
 - (2) L.E.D. STOP, TURN & TAIL LAMPS IN PINTLE AREA
 - (2) BACK-UP LAMPS IN PINTLE AREA
 - (1) L.E.D. STOP, TURN & TAIL LAMP RECESSED IN EACH REAR PILLAR
 - (5) RED MARKER LAMPS
 - HOOD MOUNTED BRACKET KIT- STAINLESS STEEL
 - L.E.D. PLOW LIGHTS (ABL)
 * L.E.D. W/ PROJECTION TYPE LENSES
 * DUAL BURN HIGH BEAM
 * PLASTIC HOUSING, BLACK
 * INCLUDES AMBER L.E.D. TURN SIGNALS
 - ECCO L.E.D. MINI LIGHT BAR (AMBER)
 - L.E.D. SELF CONTAINED 2 LIGHT STROBE SYSTEM
 - L.E.D. CLEAR WORK LIGHT - WING
 - L.E.D. CLEAR WORK LIGHT - REAR OF BODY
 - L.E.D. CLEAR WORK LIGHT - SPINNER
 - INSTALLED

Quote Total:

<u>Description</u>
Village of Mt. Pleasant will supply one tailgate spreader and spinner to be mounted by truck by body builder.

Financial Summary
2023 HV507 SFA (HV507)

(US DOLLAR)

Description

Price

Net Sales Price:

Approved by Seller:

Accepted by Purchaser:

Official Title and Date

Firm or Business Name

Authorized Signature

Authorized Signature and Date

**This proposal is not binding upon the seller without
Seller's Authorized Signature**

Official Title and Date